

Technical characteristics

- Flow rates: from 8 to 25 l/h
- Max back pressure: up to 14 bar
- Power supply:
 - 100÷240 Vac - 50/60 Hz
- Stroke rate: 300 strokes/minute
- Stroke length regulation: from 30% to 100%
- Pump head:
 - PVDF
- Diaphragm: PTFE
- External Enclosure: PP reinforced with fiber glass
protection degree IP65
- Manually priming valve
- Installation kit: Included

Seko Maxima EVO MGR Series is an analogic dosing pump with:

- constant flow rate manually adjustable
- proportional flow rate according to an external analogic (4-20 mA) or digital signal (water meter)
- Six positions adjustable switch:
 - 3 in division mode (1, 4, 10=n)
 - 1 in multiplication mode (n=1)
 - 1 for proportional mode 4-20 mA signal
 - 1 for constant functionality
- Pacing function adjustable by dip switch
- Moreover, this series presents AN INNOVATIVE AND EXCLUSIVE ELECTRONIC STROKE ADJUSTMENT. From 100 to 30% stroke length can be regulated simply using the appropriate knob on the frontal panel.

With this pump, it is possible to cover a flow rate range from 8 to 25 l/h and a back pressure from 0.1 to 14 bar. The power supply is 100÷240 Vac – 50/60 Hz therefore the same pump can operate with different supply voltage. The standard pump head is in PVDF, therefore high chemical compatibility with several liquids end. Maxima PLUS MGR series is equipped with a manually priming pump for the start up.

The standard pump head is in PVDF, therefore high chemical compatibility with several liquids end.

All Tekna series are equipped with a manually priming for the start up.

The pump is furnished with a complete standard installation kit, which includes: PVDF foot filter and injection valve, PVC suction tube, PE delivery tube.

PUMP KEY CODE

MGR	Analog dosing pump with constant flow rate manually adjustable., with proportional flow rate according to an external analog signal (4÷20 mA) or digital signal (water meter). 6 position adjustable switch: 3 in division mode (1, 4, 10 = n), 1 in multiplication mode (1÷10 = n), 1 for proportional mode (4÷20 mA signal), 1 for constant functionality. Pacing function adjustable by dip switch. Electronic Stroke length regulation.				
2° Hydraulic					
Model	Pressure [bar]	Flow rate [l/h]	Stroke/min	cc/stroke	
800	14	8	300	0,44	
	10	10		0,55	
	5	15		0,83	
	1	18		1,00	
3° Stroke Regulation					
E	Electronic				
4° Power supply					
N	100÷240 Vac - 50/60 Hz				
5° Liquid end					
	Pump head	Connection	Balls	Diaphragm	
H	PVDF	PVDF	Ceramic	PTFE	
6° Installation kit					
H	PVDF				
7° Seals					
0	FPM				
1	EPDM				
8° Market					
0	Standard				
9° RAL color					
	Hydraulic	Electronic			
B	5010	7004			
10° Optional					
0	Standard				

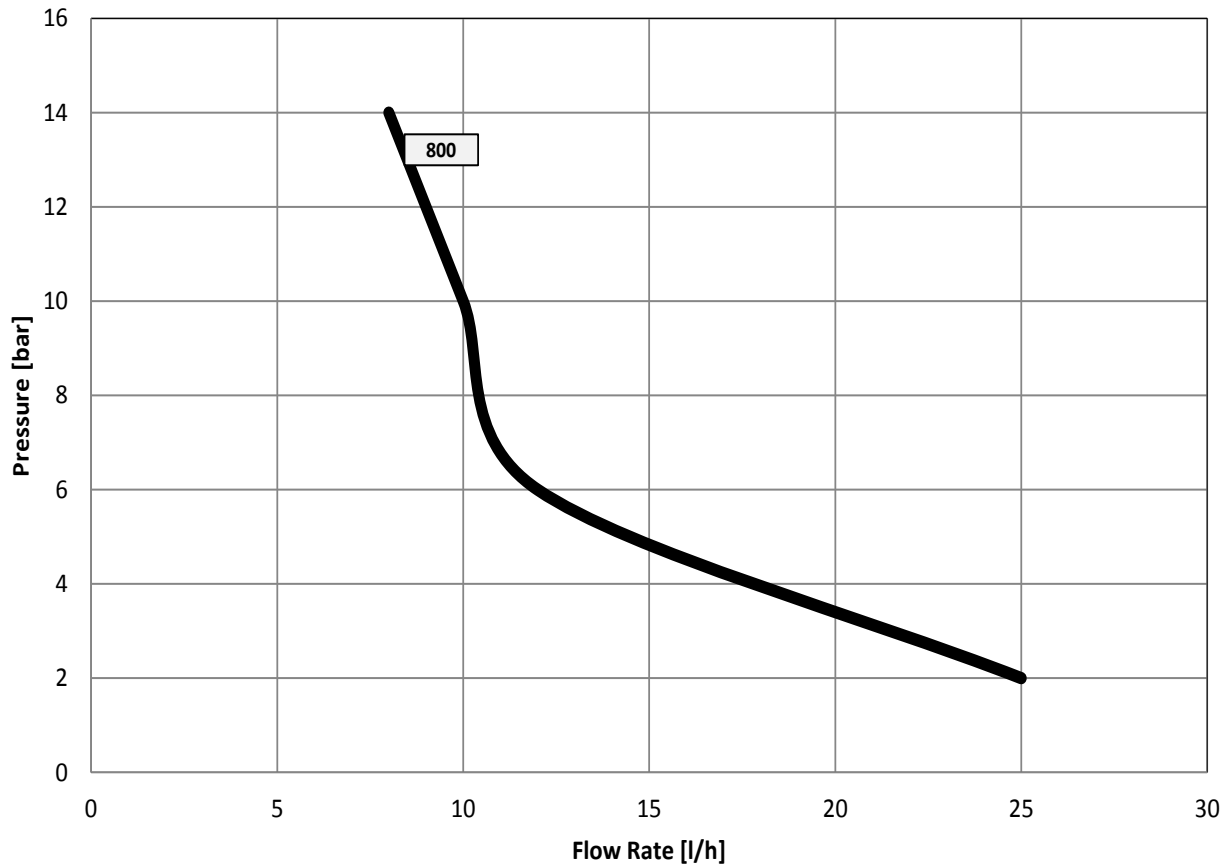
MGR	800	E	N	H	H	0	0	B	0
-----	-----	---	---	---	---	---	---	---	---

HYDRAULIC CHARACTERISTICS

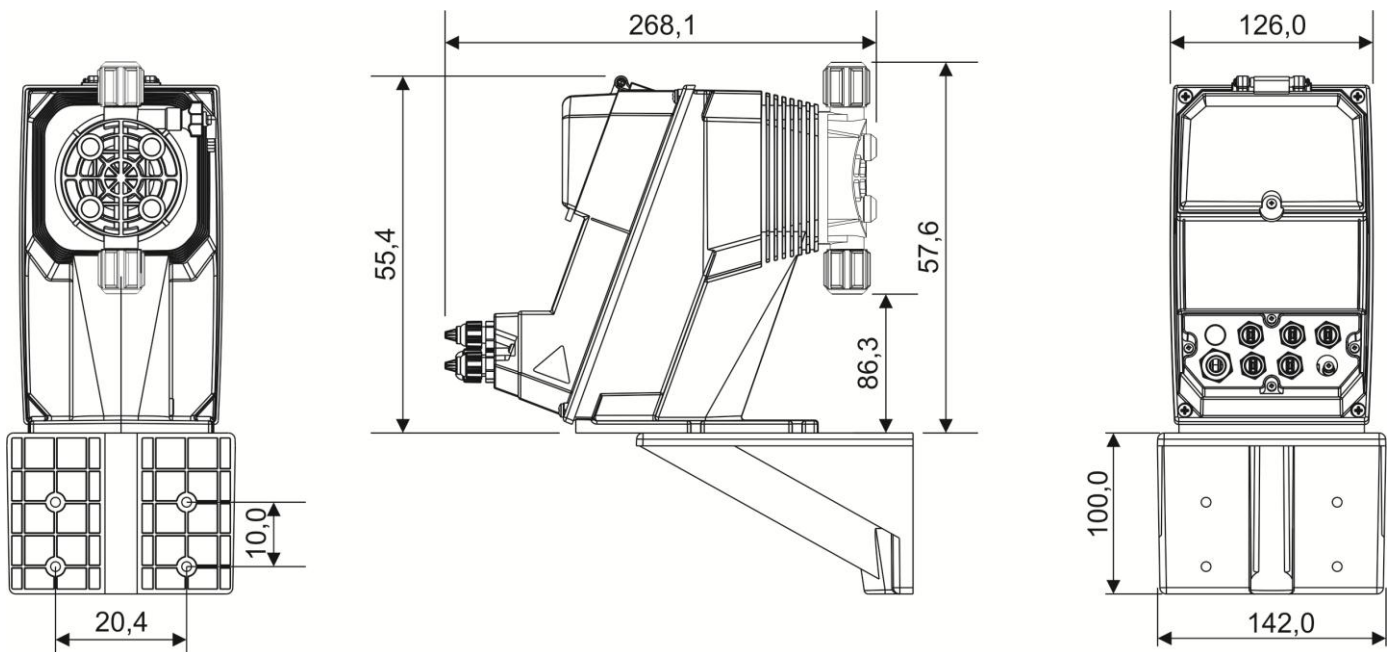
Pump Model	Pressure [bar]	Flow Rate [l/h]	Frequency max [stroke/min]	Stroke capacity [cc/stroke]	Connection [mm]		Power supply	Consumption [W]	
					Suction	Discharge		Min*	Max
MGR800	14	8	300	0,44	4/6	4/6	100÷240 Vac	15	26
	10	10		0,56					
	6	12		0,67					
	2	25		1,39					

*Minimum consumption at 0 bar of backpressure (Patented)

MGR



DIMENSIONS



INSTALLATION KIT

- PVDF foot filter
- PVDF injection valve
- PVC suction tube (4 m)
- PE delivery tube (2 m)

WALL FIXING BRACKET AVAILABLE

